

DPM 2V



DPM 35  
&  
DPM 2V



DPM 35

27C



[www.enginplast.com](http://www.enginplast.com) [www.enginplast.com](http://www.enginplast.com) [www.enginplast.com](http://www.enginplast.com)



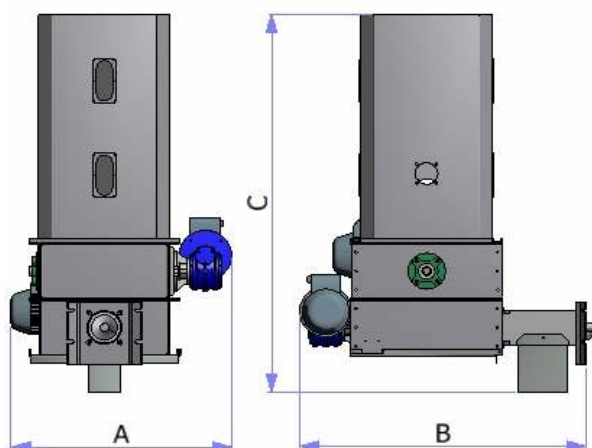
- Granulators
- Feeding systems
- Gravimetric dosers
- Volumetric dosers

# Technical data - Control panel - Uses

## Technical Data

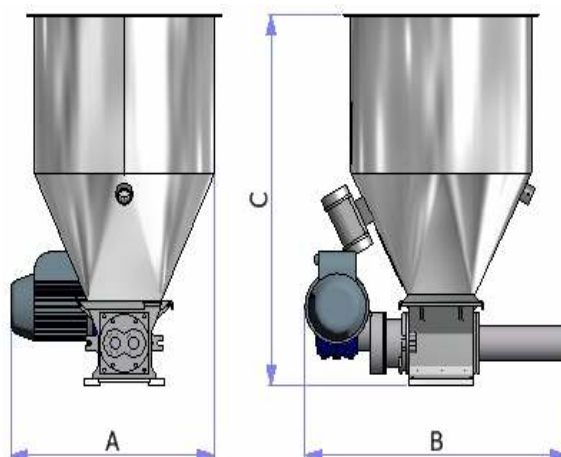
Model		DPM 35/100	DPM 2V
Output (max)	kg/h	1000	400
Dosers motor power	kW	0,37	0,37
Loading hopper capacity	dm <sup>3</sup>	150	60
Dimensions AxBxC	mm	670x87x1200	508x654x798

### DPM 35-100



**APPLICATION** : • Extrusion  
**MATERIALS** : • Grinded material  
**ADVANTAGES**  
 • Blends removal beside the machine.  
 • Quick product changeover.

### DPM 2V



**APPLICATION** : • Extrusion  
**MATERIALS** : • Powder • Grinded material  
**ADVANTAGES**  
 • Blends removal beside the machine.  
 • Quick product changeover.

## Control Panel



## Uses



\* NOTE : Technical data and images are indicative only and subject to possible changes. Engin Plast reserves the right to make changes for improvement without prior notice.



**Address**  
 Via per Zerbinata 29/A  
 44012 Bondeno (Fe) - Italy  
 P.iva e C.F. IT 01515370383 REA 174026  
**Contacts**  
 Web : [www.enginplast.com](http://www.enginplast.com)  
 Mail : [sales@enginplast.com](mailto:sales@enginplast.com)  
 Telephone: +39 0532 897178 - Fax: +39 0532 896362

